



**Primary™**  
Round-Front Toilet Seat  
**K-4686-A**

**Features**

- Open-front seat without lid.
- Plastic hinges.
- Antimicrobial agent inhibits growth of odor-causing bacteria, mold, and mildew. This product does not protect users against bacteria, viruses, or other disease organisms. Always clean and wash this product thoroughly before and after each use.

**Material**

- Plastic construction.



**Codes/Standards**

None Applicable

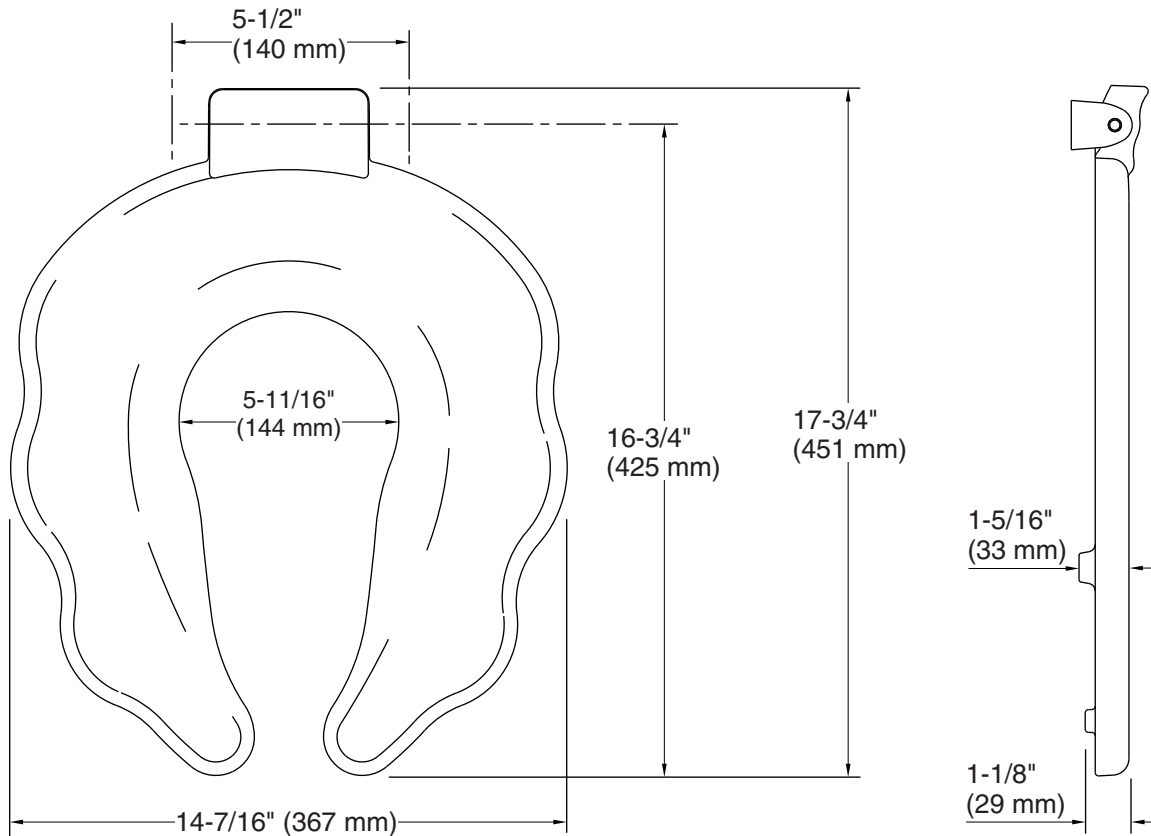
**KOHLER® One-Year Limited  
Warranty**

See website for detailed warranty information.

**Available Colors/Finishes**

*Color tiles intended for reference only.*

Color	Code	Description
	0	White
 NA	Y	Yellow
	B	Blue



### Technical Information

All product dimensions are nominal.

Seat shape type: Round-front  
Seat front type: Open-front  
Seat-mounting holes: 5-1/2" (140 mm)

### Notes

Install this product according to the installation guide.